

GRAIN > PORTABLE AUGERS >

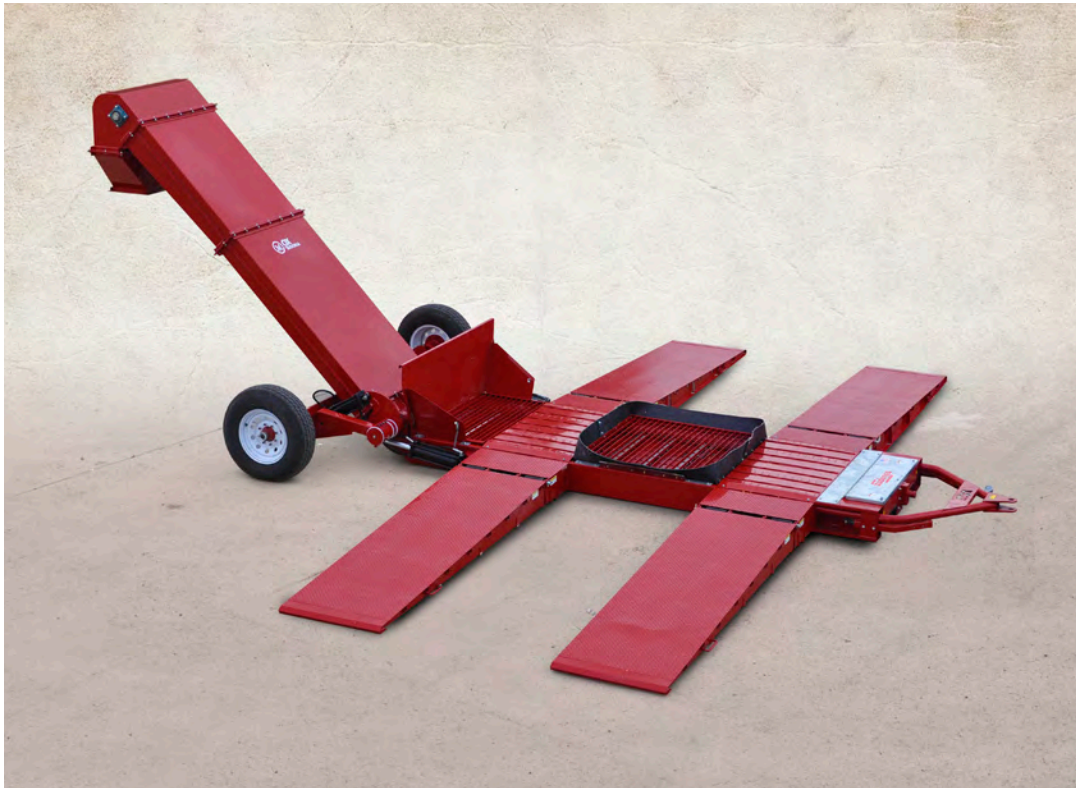
DRIVE OVER HOPPER 125



The Ox Portable Drive Over Hopper 125 is ready to get to work.
Fast, convenient unloading from straight trucks, semis and gravity wagons.
Proven low-profile design. Durable drag chain conveyor format. Speeds up to 12,500 BPH.

Sudenga®

INDUSTRIES, INC.



Shown with optional neck extension

- Hydraulic power
- 10 ga. construction
- Heavy double D81X chain with reinforced UHMW paddles
 - Rubber belting around center dump opening
- Separate inlets for gravity wagons and hopper trailer
 - Straight, tapered, or flanged discharge openings; 14" x 40" standard discharge opening.
- Optimized axle placement for reduced tongue weight

Learn more
or get a quote



1-888-SUDENGA | 1-712-475-3301 | Fax: 1-712-475-3320
PO Box 8, 2002 Kingbird Ave., George, IA 51237 USA
sales@sudenga.com | www.sudenga.com

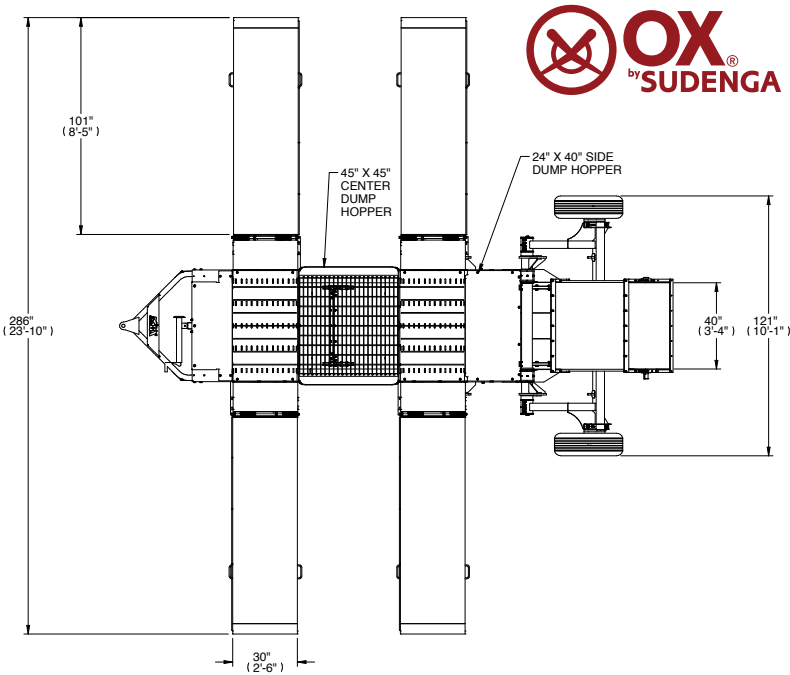
MADE
★IN THE★
USA

DRIVE OVER HOPPER 125

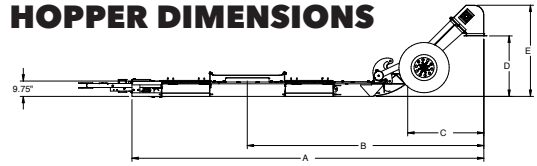


SPECIFICATIONS

Capacities	10,000 or 12,500 BPH
Deck Height	9¾"
Transport	Hydraulic transport raise options; ramps feature spring-assist for easy set up and knock down Removable hitch Hitch jack
Hoppers	45" x 45" center dump for trucks and trailers 24" x 40" side dump for gravity wagons. Folds down to cover the grate when not in use.
Tractor Hydraulic Requirements	18 GPM at 2,000 PSI



HOPPER DIMENSIONS



	Standard Incline	3' Ext.	4' Ext.	5' Ext.	6' Ext.
A	18' 6"	20' 7"	21' 4"	22'	22' 9"
B	12' 5"	14' 6"	15' 3"	16'	16' 8"
C	4'	6' 1"	6' 10"	7' 6"	8' 3"
D*	3' 2"	5' 3"	6'	6' 8"	7' 5"
E	4' 9"	6' 10"	7' 7"	8' 3"	9'

*Optional 14" square spout will reduce by 1' 4"

OPTIONAL FEATURES

- Speed control valve kit: hydraulic drive
- Discharge neck extensions in 3', 4', 5' and 6' lengths
- Flanged square spout 14"
- Hitch jack
- Wagon hopper dump



Operating position to transport position with a push of a button



Compact hydraulic axle rotation



Wide intake hopper

Learn more
or get a quote



1-888-SUDENGA | 1-712-475-3301 | Fax: 1-712-475-3320
PO Box 8, 2002 Kingbird Ave., George, IA 51237 USA
sales@sudenga.com | www.sudenga.com