

BULK SEED HANDLING EQUIPMENT >

8" SEED BELT CONVEYOR



Move a few thousand tons of seed with the 8" Seed Belt Conveyor. Built for flexibility, ranging from 17 to 32 feet with either steel or collapsible intakes, this midsize conveyor can efficiently move 2,000 bushels per hour.

Sudenga[®]

INDUSTRIES, INC.



- Available in lengths ranging from 17 to 32 feet
 - Capacities up to 2,000 bushels per hour
 - Steel or collapsible intakes
 - The optional folding intake allows the conveyor to reach low clearance seed outlets in trucks, wagons, etc. When the conveyor is in position, the intake is raised, minimizing spillage.

Learn more
or get a quote



1-888-SUDENGA | 1-712-475-3301 | Fax: 1-712-475-3320
PO Box 8, 2002 Kingbird Ave., George, IA 51237 USA
sales@sudenga.com | www.sudenga.com

MADE
★ IN THE ★
USA

BULK SEED HANDLING EQUIPMENT >

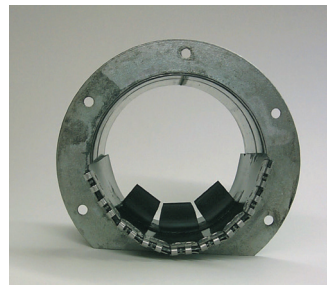
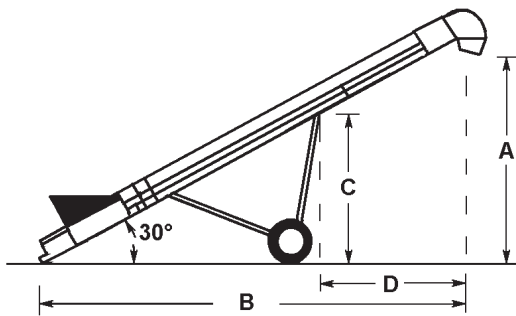
8" SEED BELT CONVEYOR

Ready to move a few thousand bushels of seed? The 8" Ox Seed Belt Conveyor is already one step ahead of you. The Ox is built for flexibility, ranging from 17-to-32-feet with either steel or collapsible intakes. Just because it's a mid-size conveyor, doesn't mean you'll sacrifice efficiency, because the Ox 8" Seed Belt Conveyor can move 2,000 bushels per hour. All in a day's work for Ox.



SPECIFICATIONS

| | |
|------------------|--|
| Tube | 14 ga. galvanized 8" tube with standard wind skirt for belt return. |
| Belting | 12" PVC belt with 1½ x 7" cleats spaced on 6" centers. Vulcanized drive roller; self cleaning bottom roller; top and bottom SCM bearings for belt tension and tracking. |
| Drive | 5 HP electric or 6.2 CID hydraulic drive. |
| Transport | Timken roller bearings for road use. 2" x 3" lower arms, 2" x 4" upper arms. 80" transport width. |



Cleated belting



Gentle transition spouting

REACH & ELEVATION (30° INCLINE)

| | Auger Length | | | |
|----------------------|--------------|--------|--------|--------|
| | 17' | 21' | 25' | 32' |
| A - Elevation | 9' | 11' 6" | 13' 6" | 16' 6" |
| B - Distance | 16' 6" | 19' 8" | 23' 6" | 29' 6" |
| C - Height | 7' | 9' 9" | 9' 9" | 13' |
| D - Reach | 2' 8" | 4' 8" | 6' | 6' 6" |

CAPACITIES

| Elevation | Soybeans |
|-----------|-----------|
| 30° | 2,000 BPH |

Capacity is at approx. 400 FPM belt speed and will vary with material type and conveyor incline. Consult your seed dealer for belt speed recommendations. Hydraulic drive allows a wide range of belt speeds.



Optional collapsible intake



OPTIONAL

■ **Folding intake:** Allows the conveyor to reach low clearance seed outlets in trucks, wagons, etc. When the conveyor is in position, the intake is raised, minimizing spillage.

**MADE
★ IN THE ★
USA**

*Learn more
or get a quote*



1-888-SUDENGA | 1-712-475-3301 | Fax: 1-712-475-3320
PO Box 8, 2002 Kingbird Ave., George, IA 51237 USA
sales@sudenga.com | www.sudenga.com