

ROLLER MILL

SINGLE, DOUBLE, & TRIPLE CONFIGURATIONS

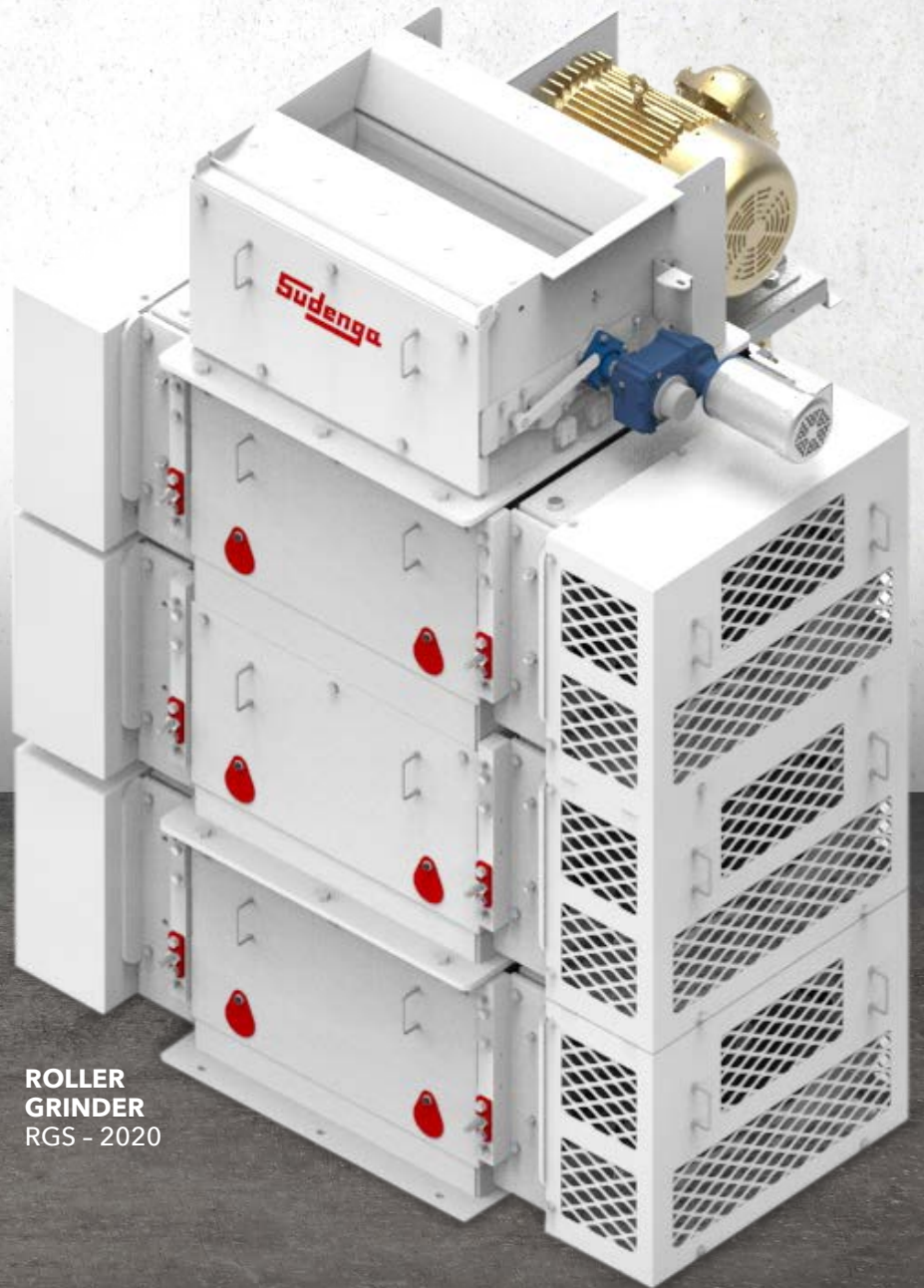
**CAPACITIES
UP TO 48 TPH
AT 500 MICRONS**

- ROLL GAP AUTOMATION
- LOAD COMPENSATING CONTROLS



POCKET FEEDER

- Uniform flow
- Even wear on rolls
- Controllable flow rate with Variable Frequency Drive (VFD)



ROLLER
GRINDER
RGS - 2020

**SINGLE POINT ROLL ADJUSTMENT,
MANUAL OR AUTOMATIC.
ROLLS REMAIN PARALLEL THROUGHOUT MOVEMENT**



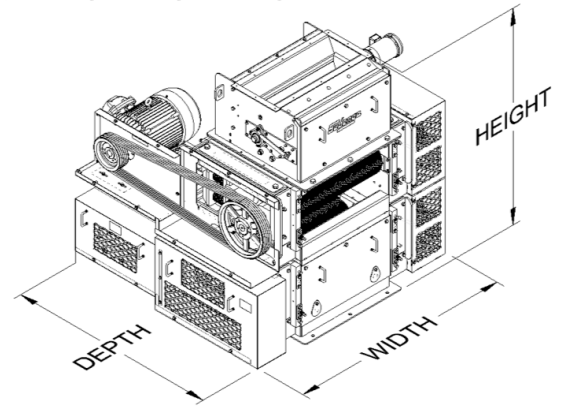
ROLLER MILL RGS-2020



Easy access feed sample slots

Robust frame for trouble free operation.

SPECIFICATIONS



MAGNET

- Plate-style magnet
- Prevents metal from getting in rolls
- Pulls out for easy clean

BEARINGS, HOUSINGS, & GREASE BANK

- Self-aligning spherical roller bearings
- Machine matched, pillow block housing
- Quick-detach grease lines
- Easy-access grease bank



INTER-DRIVE

- Use of Hi-Power® Dubl-V Belts
- High tensile springs used for belt tensioning

ROLLS & SHAFTS

- High quality chilled iron, solid cast rolls
- Corrugations for various applications

Single Pair	Height	Width	Depth
-------------	--------	-------	-------

SHRG-1224	51.70"	70.21"	85.91"
SHRG-1230	51.70"	76.21"	85.91"
SHRG-1236	51.70"	82.21"	85.91"
SHRG-1242	51.70"	88.21"	85.91"
SHRG-1252	51.70"	98.21"	85.91"

Double Pair	Height	Width	Depth
-------------	--------	-------	-------

DHRG-1224	80.20"	70.21"	85.91"
DHRG-1230	80.20"	76.21"	85.91"
DHRG-1236	80.20"	82.21"	85.91"
DHRG-1242	80.20"	88.21"	85.91"
DHRG-1252	80.20"	98.21"	85.91"

Triple Pair	Height	Width	Depth
-------------	--------	-------	-------

THRG-1224	108.70"	70.21"	85.91"
THRG-1230	108.70"	76.21"	85.91"
THRG-1236	108.70"	82.21"	85.91"
THRG-1242	108.70"	88.21"	85.91"
THRG-1252	108.70"	98.21"	85.91"

*Subject to change

Height of Feeder: 23.20"



Sudenga
INDUSTRIES, INC.

1-888-SUDENGA | 1-712-475-3301 | Fax: 1-712-475-3320
PO Box 8, 2002 Kingbird Ave., George, IA 51237 USA
sales@sudenga.com | www.sudenga.com