

- **19” deep trench is open at both ends - no drainage problems.**
- **5000, 7000, and 10,000 BPH unloading rates.**
- **Modular design for variable lengths and discharge heights.**

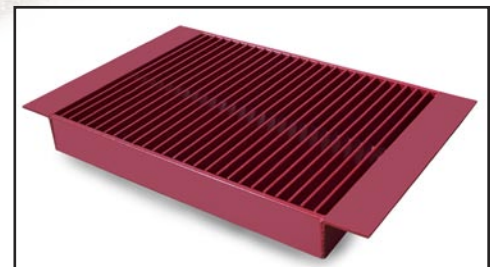


Sudenga 4012 Drive Over Conveyors eliminate water problems common in pit installations. The 19” deep trench is open at both ends for drainage. Conveyor sections for the “drive over” area are available in 1, 2, 5, and 10 ft. lengths to accommodate any width required.



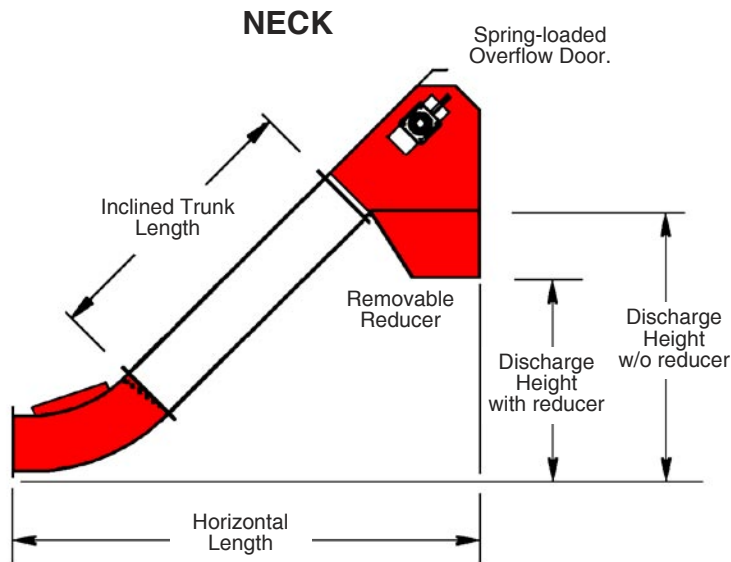
Intake grating and solid covers are positioned (and changed) on the Conveyor as required. You can have intake grates all the way across the drive over area, a center intake for trailers and trucks, or a side intake for wagons. Solid covers are used where tires cross the conveyor to keep out mud and trash.

**INTAKE GRATING**



# 4012 Drive Over Conveyor

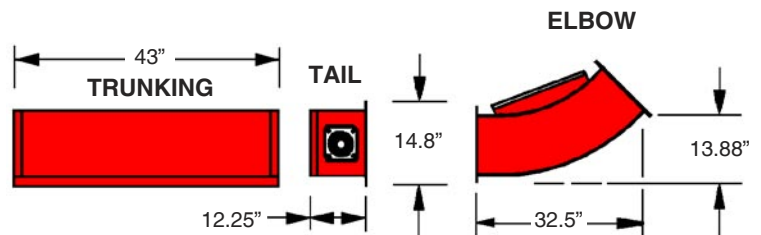
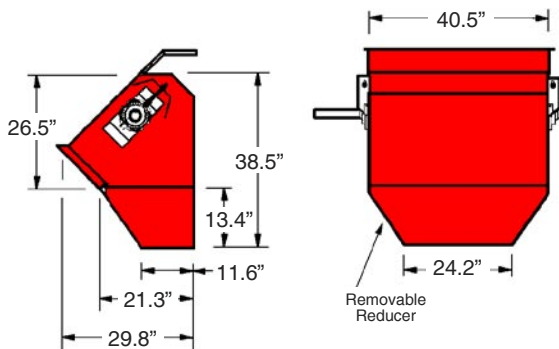
- 10 ga. galvanized Horizontal and Inclined Trunking.
- 10 ga. painted Head, 45° Corner, and Tail Sections.
- Commercial duty shaft mount gear reducer.
- 1-15/16" shaft & 8-tooth sprocket in Head and Tail sections.
- Double D81X Chain with polyethylene paddles.
- 14" deck height.
- Intake grates and solid drive over covers can be repositioned for full width, center, or side discharge situations.
- 21" x 40" outlet to the elevator leg. Reducer provides a 12" x 24" outlet to the leg.
- Conveyors require a trough 48" wide and 19" deep.



## Neck Information

Inclined Trunk Length	Discharge Height (with Reducer)	Discharge Height (w/o Reducer)	Horizontal Length
15'	10'-9"	11'-10"	15'-1"
14'	10'	11'-1"	14'-4"
13'	9'-4"	10'-5"	13'-8"
12'	8'-7"	9'-8"	12'-11"
11'	7'-11"	9'	12'-3"
10'	7'-2"	8'-3"	11'-6"
9'	6'-6"	7'-1"	10'-11"
8'	5'-9"	6'-10"	10'-1"
7'	5'-1"	6'-2"	9'-5"
6'	4'-3"	5'-4"	8'-8"
5'	3'-8"	4'-9"	8'

## DISCHARGE



Distributed By:

# SUDENGA INDUSTRIES, INC.

Box 8 • 2002 Kingbird Ave. • George, IA 51237 USA  
 1-888-SUDENGA (783-3642) • 1-712-475-3301 • Fax: 1-712-475-3320  
 E-mail: sales@sudenga.com • www.sudenga.com