

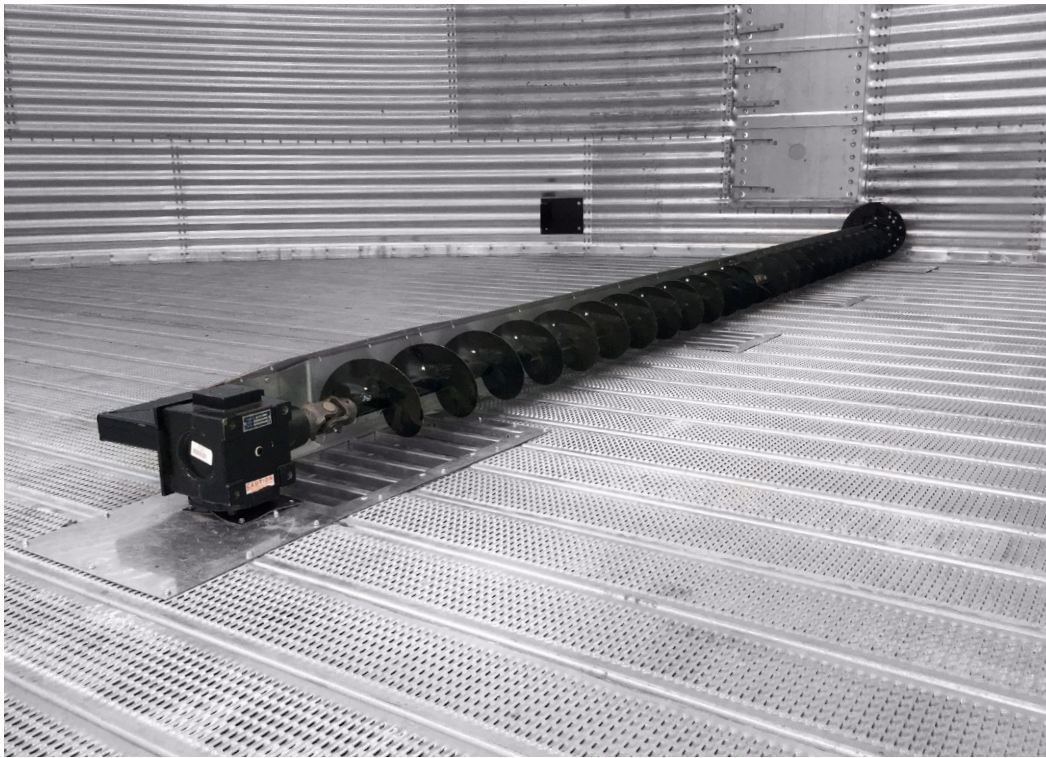
GRAIN > GRAIN BIN SWEEPS >

# U-TROUGH POWER SWEEP

Our 10" & 12" u-trough power sweeps feature high capacities and long-run durability.  
Available for bins from 18 to 80 feet in diameter.  
Can be installed in 13 inch dryer floor support applications.

# Sudenga®

INDUSTRIES, INC.



#### Easy installation:

Much of the sweep is factory assembled. The 10" center sump is part of the u-trough. All controls are internal. Just slide the complete assembly through the bin wall and attach the sweep.

#### Trough hanger bearings:

Wood bearings are placed at the sumps for easy access. Flightings and bearings can be removed as a unit, with the bearing hangers sliding on ledges in the trough. Bearings are self-seating.

#### Sweep stop:

Limits the sweep to one revolution. The stop swings back, allowing the sweep to move forward over the sumps before filling the bin.

Learn more  
or get a quote



1-888-SUDENGA | 1-712-475-3301 | Fax: 1-712-475-3320  
PO Box 8, 2002 Kingbird Ave., George, IA 51237 USA  
sales@sudenga.com | www.sudenga.com

GRAIN > GRAIN BIN SWEEPS >

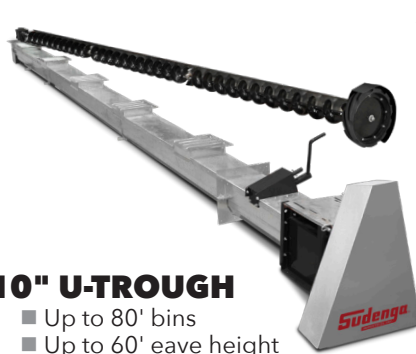
# U-TROUGH POWER SWEEP

Sudenga's u-trough power sweeps feature high capacities and long-run durability. 10 and 12" u-trough power sweeps are available for bins from 18 to 80' in diameter. 10" systems offer capacities to 6,000 BPH. 12" systems handle up to 10,000 BPH in capacity. Both systems install in 13" dryer floor support applications.

**Heavy duty double gearbox sweep drive:** Internally controlled engage/disengagement for the sweep auger. Precision gearboxes are oil-bath types. Featuring 1 1/4" shafts.

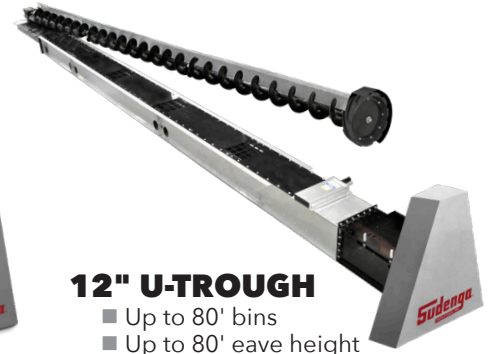
**Center sump:** Heavy duty rollers or sliders coupled with the standard rack and pinion opener provides smooth gate action.

**Sumps:** Compare the number of Sudenga intermediate sumps to those on other brands. More sumps means more reliable sweep startup and unloading of the bin. If the center sump becomes blocked during the first phase of unloading the bin, the intermediate sump nearest the center acts as a safety sump and can be opened independently to continue first phase unloading from near the bin center.



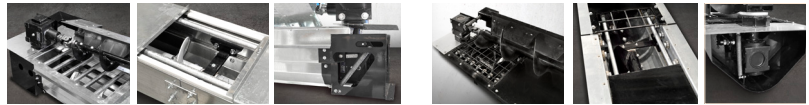
### 10" U-TROUGH

- Up to 80' bins
- Up to 60' eave height
- 6,000 BPH unloading



### 12" U-TROUGH

- Up to 80' bins
- Up to 80' eave height
- 10,000 BPH unloading



**Sudenga's 12" u-trough power sweep is the only bin or silo sweep of its kind - it's designed to install in a 13" grain bin or silo drying floor while handling up to 10,000 bushels per hour.**



### CLEAN SWEEP BRISTLE

Clean sweep bristles drastically reduce the amount of grain left behind. Work smart, not hard. Optional on 10"; standard on 12".

Performance varies depending on grain condition and condition of floor.

### SPECIFICATIONS

	Trough Ga.	Flight Dia.	Flight Ga.	Flight Pipe	Flight Shaft
10" Underbin	14	-	1/4"	2-7/8"	1 1/2"
10" Sweep	-	7 1/4"	1/4"	2-7/8"	1 1/2"
12" Underbin	10	-	1/4"	2-7/8"	1 1/2"
12" Sweep	-	11 1/4"	1/4"	2-7/8"	1 1/2"

### CAPACITIES

Unloading Auger	10" System	12" System
Horizontal	6,000 BPH	10,000 BPH
27° Incline	5,200 BPH	10,000 BPH

Capacities are approximate and for underbin auger only. Capacities are reduced when the sweep auger is engaged.

### END WHEELS

	10" System	12" System
11:1 Molded End Wheel	Standard (Bins 15' to 43'4")	-
20:1 Molded End Wheel	Standard (Bins 48'+)	Standard (All bin sizes)



Learn more or get a quote



1-888-SUDENGA | 1-712-475-3301 | Fax: 1-712-475-3320  
 PO Box 8, 2002 Kingbird Ave., George, IA 51237 USA  
 sales@sudenga.com | www.sudenga.com