

GRAIN > PORTABLE AUGERS >
DRIVE OVER HOPPER



Unload from hopper-bottom trailers and gravity wagons quickly and easily. Available with electric or hydraulic drive options, this low-profile hopper can unload up to 7,500 BPH. Heavy-duty, spring-assisted ramps ease your setup and knock-down.

Sudenga[®]
INDUSTRIES, INC.



Shown with optional neck extension

- Electric or hydraulic power
 - 10 ga. construction
- Heavy D81X chain with reinforced UHMW paddles
 - Rubber belting around center dump opening
- Separate inlets for gravity wagons and hopper trailer
 - Straight, tapered, or flanged discharge openings

Learn more
or get a quote



1-888-SUDENGA | 1-712-475-3301 | Fax: 1-712-475-3320
PO Box 8, 2002 Kingbird Ave., George, IA 51237 USA
sales@sudenga.com | www.sudenga.com

MADE
★IN THE★
USA

GRAIN > PORTABLE AUGERS >
DRIVE OVER HOPPER

Don't tell the Ox it looks handsome. The Drive Over Hopper is here to unload grain, not win a fashion show. Available with electric or hydraulic drive options. It unloads at rates up to 7,500 BPH, but it keeps a low profile (9¾" high). Durable drag chain conveyor. Heavy duty, spring assisted ramps. Easy to set up. Easy to knock down.



Collapsible splash guard



Manual transport raise



Hitch jack



STANDARD FEATURES

- Available in either electric or hydraulic power: Hydraulic drive uses Char-Lynn "H" Series 6.2 CID motor. Electric drive includes belt guards, shaft covers, and jackshaft double reduction
- 10 ga. construction
- Heavy D81X chain with reinforced UHMW paddles
- Rubber belting around center dump opening
- Separate inlets for gravity wagons and hopper trailer
- Straight, tapered, or flanged discharge openings; 10" x 16¾" standard discharge opening

OPTIONAL FEATURES

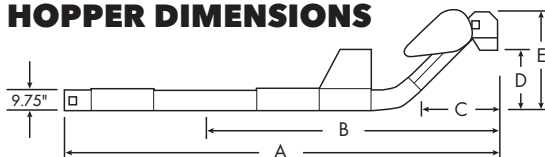
- Speed control valve kit: hydraulic drive
- Hydraulically operated transport
- Discharge neck extensions in 36", 48" and 60" lengths



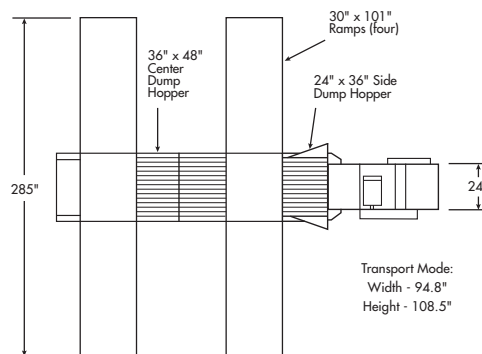
SPECIFICATIONS

Capacities	3500, 5000, or 7500 BPH
Deck Height	9¾"
Transport	Manual or hydraulic transport raise options; ramps feature spring-assist for easy set up and knock down. Removable hitch. Hitch jack
Hoppers	36" x 48" center dump for trucks and trailers. 24" x 36" side dump for gravity wagons (side dump folds down to cover the grate when not in use)

HOPPER DIMENSIONS



	Standard Incline	36" Extension	48" Extension	60" Extension
A	17' 3"	19' 6"	20' 2"	20' 10"
B	11' 10"	13' 11"	14' 8"	15' 4"
C	39.2"	65"	73.7"	82.5"
D	26.9"	51.9"	60"	68.5"
E	48"	72.7"	81"	89.3"



**MADE
 IN THE
 USA**

Transport Mode:
 Width - 94.8"
 Height - 108.5"

*Learn more
 or get a quote*



1-888-SUDENGA | 1-712-475-3301 | Fax: 1-712-475-3320
PO Box 8, 2002 Kingbird Ave., George, IA 51237 USA
sales@sudenga.com | www.sudenga.com