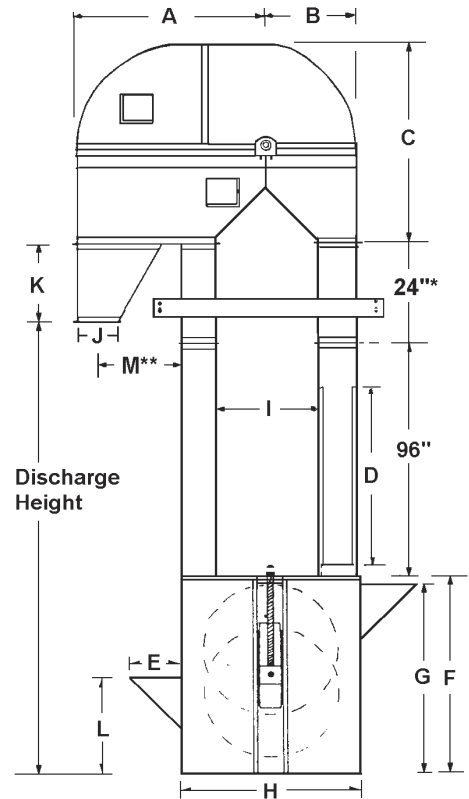


Elevator Leg Specifications

Capacities are based on 75% cup fill.

Series	Model	BPH	CFPH	Ton/hr 60#/cf	Ton/hr 70#/cf	Max. Disch. Height
"C"	C-175-6-1.25	175	220	6.6	7.7	60'
	C-500-6-1.25	500	630	18.9	22	60'
	C-800-6-1.25	800	1000	30	35	60'
Junior	JR-1000-12-1.75*	1000	1250	38	44	90'
	JR-1250-12-1.75	1250	1565	47	55	90'
	JR-1500-12-1.75	1500	1875	56	66	90'
	JR-3000-12-1.75	3000	3750	113	131	90'
DC 12"	DC12-2000	2000	2500	75	87	100'
	DC12-3000	3000	3750	113	131	100'
Medium 24"	M-2600-24-203	2600	3250	100	114	170'
	M-3000-24-203	3000	3750	113	131	150'
	M-3500-24-203	3500	4375	132	153	130'
Medium 30"	M-4000-30-203	4000	5000	150	175	196'
	M-4500-30-203	4500	5625	169	200	174'
	M-5000-30-203	5000	6250	188	219	158'
Senior 36"	SR-5000-36-307	5000	6250	188	219	210'
	SR-6500-36-307	6500	8125	245	284	210'
	SR-7500-36-307	7500	9375	281	328	180'
	SR-10000-36-307	10,000	12,500	375	437	160'
Senior 42"	SR-10000-42-307	10,000	12,500	375	437	198'
	SR-12500-42-307	12,500	15,625	469	546	158'
	SR-15000-42-307	15,000	18,750	563	656	132'
Senior 48"	SR-12500-48-307	12,500	15,625	469	546	210'
	SR-15000-48-307	15,000	18,750	563	656	168'
Hi-Cap 24"	HC-4300-24	4300	5375	162	189	152'
	HC-5200-24	5200	6500	196	229	120'
	HC-6000-24	6000	7250	219	256	110'
Hi-Cap 30"	HC-7500-30	7500	9060	203	317	140'
Hi-Cap 48"	HC-17500-48	17,500	21,875	656	765	168'
	HC-20000-48	20,000	25,000	750	874	164'

*Soft Dump



*30" on Hi-Cap 48" Leg.

**Available Distributor clearance.

Elevator Leg Dimensions

Series	BPH	Cup Size Spacing		Pulley RPM	Belt FPM	Pulley Dia.	Trunk Dim.	A	B	C	D	E	F	G	H	I	J	K	L	M				
"C"	175	6 x 4	5	78	122	6	5½ X 8½	21	8	21¾	48	10	24	23	16	5½	8	7	19	--				
	500			168	264															264				
	800			202	317															317				
Junior	1000*	9 x 6	8	45	140	12	9 X 13	34	14	41	72	16	38¾	37	29½	11	8	14½	26¾	13¾				
	1250			122	383																383			
	1500			122	383																383			
	3000			138	433																433			
DC 12"	2000	8 X 6	7	49	153	12	14 X 22	37¾	19	47	72	16	38½	36¾	34½	6½	8	18	29½	13¾				
	3000			73	230																230			
Medium 24"	2600	9 X 6	8	80	500	24	9 X 13	39½	20½	53	72	16	44½	42½	41	23	8	22	28	14¾				
	3000			8	500																500			
	3500			7	500																500			
Medium 30"	4000	11 X 7	11	70	550	30	11 X 15	55	25½	68	72	18	52	49¼	51	29	10	24	36½	23¾				
	4500			10	550																550			
	5000			9	550																550			
Senior 36"	5000	12 X 7	10	60	565	36	12 X 19	61	29	70	72	20	60	58½	59	35	12	24	41¾	24				
	6500	14 X 7	10	60	565																12	24	24	
	7500	15 X 7	9	60	565																12	24	24	
	10,000	14 X 8	10	69	650																14	24	23	
Senior 42"	10,000	14 X 8	10	60	660	42	13 X 22	69	34	107	60	21	68¾	66½	66½	40½	14	16	23	48	26½			
	12,500	16 X 8	10	60	660																	16	23	25½
	15,000	18 X 8	9	60	660																	18	23	24½
Senior 48"	12,500	16 X 8	10	52	654	48	13 X 22	84	37½	117	60	21	72¼	70	72½	46½	16	23	49	37½				
	15,000	18 X 8	9	52	654																18	23	36½	
Hi-Cap 24"	4300	12 X 6	8	81	500	24	12 X 16	44½	24	55½	72	16	44½	42½	46	22	10	21¼	25	12¾				
	5200	12 X 7	9	81	500																10	25	12¾	
	6000	12 X 7	8	81	500																12	25	11¾	
Hi-Cap 30"	7500	15 X 7	9	70	550	30	12 X 19	60	29	82	60	24	60½	59	52	28½	12	22¾	43½	24½				
Hi-Cap 48"	17,500	20 X 9	11	54	679	48	16 X 26	95	41	123	60	24	78½	75	79	46	20	30½	58¼	48				
	20,000	20 X 9	10	56	704																20	58¼	48	

*Soft Dump