



# ATLAS

FRONT UNLOAD

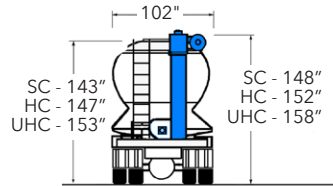


UNLOAD SPEED **7,000** POUNDS PER MINUTE

CAPACITIES **1,479-2,043** CUBIC FEET

## BODY FEATURES

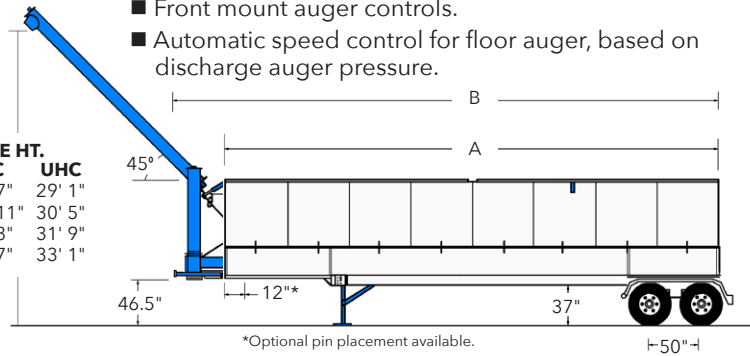
- All-welded aluminum tank, base, and bulkheads.
- One-piece, extruded top opening. (Pat. No. 6,053,552)
- Shur-Lok roll tarp or aluminum tank lid with manual crank, air, or electric-over-air lid opener.
- Double seal individual rack and pinion gates (Pat. No. 5,658,116) with nylon roller guides.
- Replaceable floor trough. Your choice of 12 ga. steel, 7 ga. aluminum or 10 ga. AR material.
- Air ride suspension, Midland ABS, and NHSTA bumper.



AUGER LENGTH	DISCHARGE HT.		
	SC	HC	UHC
28'	28' 3"	28' 7"	29' 1"
30'	29' 7"	29' 11"	30' 5"
32'	30' 11"	31' 3"	31' 9"
34'	32' 3"	32' 7"	33' 1"

## AUGER/HYDRAULICS SYSTEM

- 12" floor auger, 16" vertical auger, 12" discharge auger.
- Rear pit discharge on the floor auger.
- Direct couple tandem pumps. Orbit type auger motors. 29 gallon reservoir with filter (with body or on wet kit).
- 270° worm drive rotation on the discharge auger. Controls located at the driver's door.
- Wood hanger bearings on the floor auger.
- Front mount auger controls.
- Automatic speed control for floor auger, based on discharge auger pressure.



\*Optional pin placement available.

## SPECIFICATIONS

	36ALSULTF	40ALSULTF	40.5ALSULTF	45ALSULTF
<b>A - Body Length</b>	36'	40'	40.5'	45'
<b>B - Overall Length</b>	41' 2"	45' 2"	45' 8"	50' 2"
<b>Kingpin to Center-of-Tandem</b>	372"*	424"*	426"*	451"*
<b>Compartments</b>	8	8	9	9

\*5th wheel plate to center of tandem axle.

## CAPACITIES (cu. ft.)

	36ALSULTF	40ALSULTF	40.5ALSULTF	45ALSULTF
<b>Standard Cube</b>	—	1533	1552	1726
<b>High Cube</b>	1479	1645	1665	1854
<b>Ultra High Cube</b>	1630	1813	1835	2043

SC = Std. Cube HC = High Cube UHC = Ultra High Cube

## The Atlas NXT front unload feed trailer

from Sudenga Industries is the industry leader for unloading speed with capacities as high as 8,500 pounds per minute and averages of 7,000 pounds per minute. The front unload configuration offers convenient auger positioning for drivers. This trailer will get the job done quickly. What you do with your extra time is up to you!