



BIG BOY

OVERHEAD AUGER

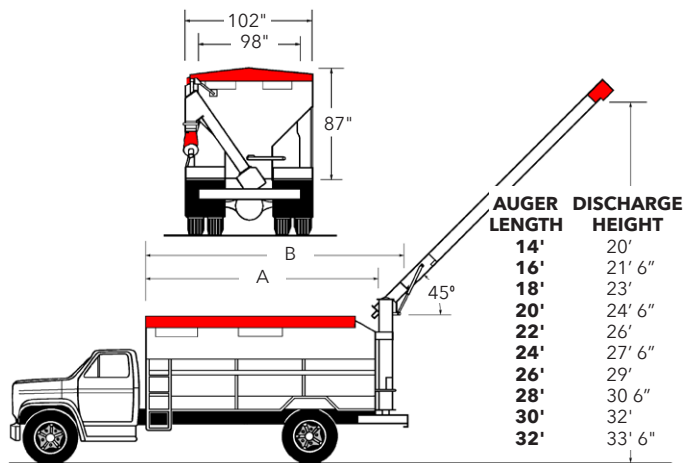
UNLOAD SPEED

2,000 POUNDS PER MINUTE

CAPACITIES

414-1,025 CUBIC FEET





BODY FEATURES

- All-welded 12 ga. construction.
- Your choice of fitted tarp, Shur-Lok roll tarp or steel top with manual crank, air, or electric-over-air lid opener.
- Wide fenders for bagged feed (form fit or straight).
- Weather-tight vinyl coated nylon tarp top.
- Delrin spline coupler on discharge auger.

AUGER/HYDRAULICS

- 8"-10"-10"-8" auger system, 2000 lb./minute unloading, 360° discharge rotation.
- Hydraulic raise and rotate on discharge auger with controls located at driver's door.
- Variable speed floor auger with rear pit discharge.
- Direct couple tandem hydraulic pumps.
- Orbit type auger motors.
- 29 gal. oil reservoir with filter.

The Big Boy feed truck with an overhead auger is

an economical option when you need to reach tall feed bins. This body is one of Sudenga's original feed truck designs and is still manufactured today. The all steel body comes with a choice of tops, auger lengths, capacities. The unload auger system has a rated capacity of 2000 pounds per minute and features a 360° rotation.

SPECIFICATIONS

	BB8T12HOH	BB9T14HOH	BB10T16HOH	BB11T18HOH	BB12T20HOH	BB14T22HOH	BB15T24HOH	BB17T26HOH
A - Body Length	12'	14'	16'	18'	20'	22'	24'	26'
B - Overall Length	14' 5"	16' 5"	18' 5"	20' 8"	22' 8"	24' 8"	26' 8"	28' 8"
Body Weight (lbs.)¹	4,678	5,068	5,518	5,821	6,324	6,691	7,137	7,853
Cab-to-Axle	108"	138"	138" (120")*	144"*	172"*	180"*	180"*	198"*
No. of Compartments	2	3	3	3	4	4	4	5

CAPACITIES

	BB8T12HOH	BB9T14HOH	BB10T16HOH	BB11T18HOH	BB12T20HOH	BB14T22HOH	BB15T24HOH	BB17T26HOH
Capacity - cu. ft.	414-463	484-541	553-618	622-695	691-855	760-940	829-1025	898-1004
Capacity - ton²	7.4-8.3	8.7-9.7	9.9-11.1	11.2-12.5	12.4-16.9	13.7-16.9	14.9-18.4	16.7-18

1 - Body weights are approximates and will vary with optional equipment.
2 - Figured using 36 pounds per cubic foot

*Cab-to-center of tandem. **Cab-to-center of triple axles. ***Cab-to-center of quad axles.
Cab-to-axle figures are only recommendations developed from trucks commonly used by our customers. We cannot guarantee their accuracy in all situations. Consult your truck dealer for chassis recommendations.