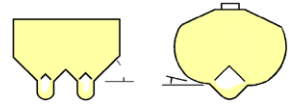




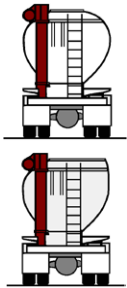
ALST SERIES

ALUMINUM ST

Twin floor augers lower body height and increase stability by putting more of the load closer to the frame.



CENTER FILL OR EASY FILL

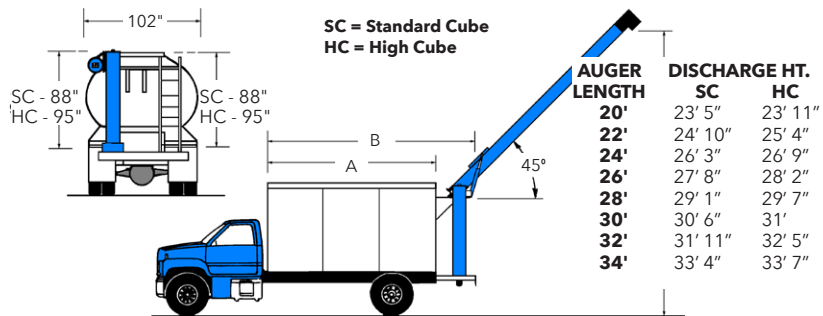


Easy Fill bodies extend to the right for overhead and side spout loading.



UNLOAD SPEED **3,500** POUNDS PER MINUTE

CAPACITIES **471-1,239** CUBIC FEET



BODY FEATURES

- All-welded aluminum tank, bulkheads, and base.
- One-piece, full length, extruded top opening for extra strength.
- Shur-Lok roll tarp or one-piece tank lid with manual crank, air, or electric-over-air lid opener.
- Upright (true) vertical auger - no freewheeling.
- Double seal rack and pinion gates with nylon roller guides (Pat. No. 5,658,116).
- High profile fenders.

SPECIFICATIONS

	12ALST	13.5ALST	16ALST	18ALST	20ALST	22.5ALST	24ALST	27ALST
A - Body Length	12'	13.5'	16'	18'	20'	22.5'	24'	27'
B - Overall Length	15' 8"	17' 2"	19' 8"	21' 8"	23' 8"	26' 2"	27' 8"	30' 8"
Body Weight (lbs.)¹	4,958	4,987	5,517	5,721	6,055	6,324	6,683	7,259
Cab-to-Axle	108"	138"	120"*	144"*	186"*	180"*	180"*	180"*
No. of Compartments	3	3	4	4	5	5	6	6

CAPACITIES (CU. FT.)

	12ALST	13.5ALST	16ALST	18ALST	20ALST	22.5ALST	24ALST	27ALST
Standard Cube Body	471	528	628	706	785	881	942	1057
High Cube Body	525	591	700	788	875	985	1050	1182
Easy Fill (Std. Cube)	501	563	668	751	835	939	1002	1127
Easy Fill (High Cube)	550	620	740	833	925	1033	1102	1239

¹Body weights are approximate and will vary with optional equipment.

*Cab-to-center of tandem.

**Cab-to-center of triple axles.

***Cab-to-center of quad axles.

Cab-to-axle figures are only recommendations developed from trucks commonly used by our customers. We cannot guarantee their accuracy in all situations. Consult your truck dealer for chassis recommendations.

Truck frame ratings of 2,800K RBM per rail and 18K front axles are recommended for Bodies with 15 ton capacity or larger. Air ride suspension is recommended for all tandem, triple, and quad axle chassis. Bodies mounted on tractors must fit without stretching the frame.

AUGER/HYDRAULICS

- 8" floor augers, 12" cross-verticals, 10" discharge auger.
- Hydraulic raise and rotate (270°) on the discharge auger. Worm drive rotation for the discharge auger with controls at the driver's door.
- Wood hanger bearings on floor auger.
- Front mount control valves.
- Rear pit discharge on floor auger.
- Direct couple tandem pumps and orbit type auger motors. 29 gallon reservoir with filter.
- Automatic speed control matches bottom auger to vertical.

The ALST feed

truck (Aluminum ST Series) from Sudenga features twin screw floor augers that allow for a lower body height and increased stability since more of the load is closer to the frame. Lower body height is ideal for locations with overhead clearance issues. The steep 45 degree sloped sides make for quick unloading and the large lower body means more capacity.