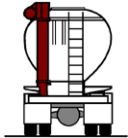




ATLAS

CENTER FILL OR EASY FILL

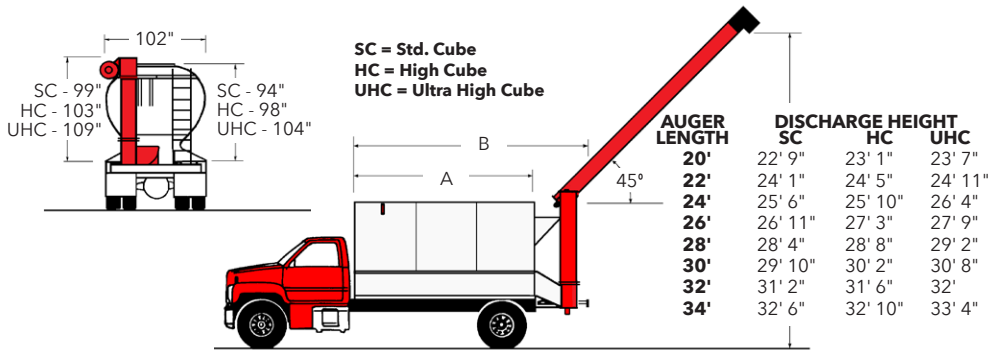


Easy Fill bodies extend to the right for overhead and side spout loading.



UNLOAD SPEED **7,000** POUNDS PER MINUTE

CAPACITIES **521-1,145** CUBIC FEET



SPECIFICATIONS 13.5ALSUL 16ALSUL 18ALSUL 20ALSUL 22.5ALSUL 24ALSUL 25ALSUL

A - Body Length	13.5'	16'	18'	20'	22.5'	24'	25'
B - Overall Length	18' 8"	21' 2"	23' 2"	25' 2"	27' 8"	29' 2"	30' 2"
Cab-to-Axle	138"	120"*	144"*	186"*	200"*	226"***	180"***
Compartments	3	4	4	5	5	6	6

CAPACITIES (CU. FT.) 13.5ALSUL 16ALSUL 18ALSUL 20ALSUL 22.5ALSUL 24ALSUL 25ALSUL

Standard Cube Body	521	617	695	772	868	926	—
High Cube Body	562	665	749	832	936	998	1040
Ultra High Cube Body	—	—	—	916	1030	1099	1145
Easy Fill (Std. Cube)	549	651	733	814	916	977	—
Easy Fill (High Cube)	591	701	788	876	985	1051	1097

*Cab-to-center of tandem.

**Cab-to-center of triple axles.

Cab-to-axle figures are only recommendations developed from trucks commonly used by our customers. Accuracy in all situations cannot be guaranteed. Consult your truck dealer for chassis recommendations.

Truck frame ratings of 2,800K RBM per rail and 18K front axles are recommended for Bodies with 15 ton capacity or larger. Air ride suspension is recommended for all tandem and triple axle chassis. Bodies mounted on tractors must fit without stretching the frame.

BODY FEATURES

- All-welded aluminum tank, base and bulkheads.
- One-piece, extruded top opening (Pat. No. 6,053,552).
- Shur-Lok roll tarp or aluminum tank lid, air or electric-over-air lid opener.
- Double seal rack and pinion gates with nylon roller guides (Pat. No. 5,658,116).
- Replaceable floor trough. Your choice of 12 ga. steel, 7 ga. aluminum, or 10 ga. AR material.

AUGER/HYDRAULICS

- 12" floor auger, 16" vertical auger, 12" discharge auger.
- Front mount control valves with manual or radio control.
- Rear pit discharge on the floor auger.
- Direct couple tandem pumps. Orbit type auger motors. 29 gallon reservoir with filter.
- 270° worm drive rotation on the discharge auger. Controls located at the driver's door.
- Wood hanger bearings on the floor auger.
- Front mount auger controls.

The Atlas feed

truck is an industry leader for unloading speed with capacities up to 8,500 pounds per minute (averages of 7,000 pounds per minute). The massive horizontal-to-vertical transition houses a four-vane flipper that moves feed from the floor auger to the vertical auger at incredible speeds. The unloading system is designed for very effective cleanout which reduces carry-over to a minimum.